

RATIONEL – WINDOWS WITH VISION

Throughout the process of design, development and production of our windows and doors we take our responsibility seriously. Rationel has one word in mind "vision" as we look towards the future.

Customers across Northern Europe are benefiting from our high quality windows and doors. Rationel only use the best coniferous timber available from sustainable forests.

Our products are developed to give you light, comfortable indoor climate and superb functionality. Continuous improvements give you the peace of mind that Rationel windows and doors provide design and performance to meet demands from the market now and long into the future.

It is important that you feel confident when you choose Rationel, which is why we always aim to live up to our values. Our products are customer focused and well thought through. We are committed to your project, trustworthy and will aim to keep our promises. All together we call it - windows with vision.

If you have a project, no matter how big or small, contact us. We can help you with our expertise and the many opportunities that our product range offers. For further information you can also visit our web-site www.rationel.co.uk.

We look forward to welcoming you to Rationel Windows (UK) Ltd.

02.18-10.09 © 2009 Rationel Vinduer A/S
© rationel and rationel logo, DOMUS and ALDUS logos are registered trademarks used under licence by Rationel Vinduer A/S.

RATIONEL INSPIRATION WHEN CHOOSING ENTRANCE AND TERRACE DOORS



WINDOWS WITH VISION

rationel[®]

WINDOWS WITH VISION

rationel[®]



CHOOSE THE RIGHT DOOR FOR YOUR HOME

The door to your house is the gateway to your home. Your choice of entrance door and the way it looks has influence on your home's architectural expression. Therefore it is important that you carefully consider the opening and closing functions and the designs available from Rationel. Colour is another important aspect of expression to consider.

We hope you are inspired by the following pages.



Examples of entrance doors



**Entrance door with
2 glass panes and
3 raised panels**

Colour:
White RAL 9010



**Entrance door with
8 raised panels**

Colour:
Light grey RAL 7035

Examples of entrance doors



**Entrance door with
4 glass panes and
3 raised panels**

Colour:
Light grey RAL 7035



**Entrance door with
6 glass panes and
2 raised panels**

Colour:
Light grey RAL 7035



**Entrance door with
3 glass panes**

Colour:
White RAL 9010



**Entrance door with
2 glass panes and
2 raised panels**

Colour:
Olive green RAL 6003



**Entrance door with
6 glass panes and
1 raised panel**

Colour:
Light grey RAL 7035



**Entrance door with
8 glass panes**

Colour:
White RAL 9010



**Entrance door with
3 glass panes**

Colour:
Slate grey RAL 7015



**Entrance door with
2 glass panes**

Colour:
Slate grey RAL 7015



**Entrance door with
5 raised panels**

Colour:
White RAL 9010



**Entrance door with
2 glass panes and
4 raised panels**

Colour:
Olive green RAL 6003



**Entrance door with
4 glass panes and
3 raised panels**

Colour:
Silver grey RAL 7001



**Entrance door with
6 raised panels**

Colour:
White RAL 9010



**Entrance door with
3 glass panes and side
light with 3 glass panes**

Colour:
White RAL 9010

Entrance doors in the DOMUS and PATUS system can be delivered with either raised or smooth panels. Entrance doors in the ALDUS and PATUS⁺ system are only available with smooth panels.



Colour

Colour is one of the easiest and most effective ways to make a door unique and give it the character you require.

We offer a standard range of colours as shown, however virtually any colour you specify from a RAL chart can be achieved in addition to traditional wood stains.

The colours shown are an indication of our finishes but are not accurate colour reproductions. Please check with an authorized RAL colour chart

		
RAL 9010 White	RAL 9001 Cream White	RAL 7035 Light Grey
		
RAL 7001 Silver Grey	RAL 7015 Slate Grey	RAL 9005 Black
		
RAL 6003 Olive Green	RAL 5013 Navy Blue	RAL 3011 Rowanberry
		
RAL 8017 Dark Brown	RAL 7042 Mid Grey	RAL 7032 Pebble Grey
		
RAL 1001 Beige	RAL 7006 Beige Grey	RAL 1018 Yellow
		
RAL 6007 Dark Green	RAL 5008 Blue Black	

Representation of translucent wood colours available

		
T220 Golde Oak	T990 Dark Pine	T129 Pine

Examples of panelled doors



Panelled door with classical pattern

Colour:
Slate grey RAL 7015



Panelled door with classical pattern and glass pane

Colour:
Light grey RAL 7035



Panelled door with pattern and glass panes

Colour:
Light grey RAL 7035



Panelled door with round glass pane

Colour:
Slate grey RAL 7015



Panelled door with herringbone pattern and glass pane

Colour:
Chocolate brown RAL 8017



Panelled door with vertical pattern and glass pane

Colour:
White RAL 9010



Panelled door with vertical pattern and glass pane

Colour:
White RAL 9010



Panelled door with glass pane

Colour:
Slate grey RAL 7015

Examples of panelled doors



Panelled door with classical pattern

Colour:
White RAL 9010



Panelled door, smooth with glass pane

Colour:
Slate grey RAL 7015



Panelled door, smooth with glass pane

Colour:
Cobalt blue RAL 5013



Panelled door, smooth

Colour:
White RAL 9010



Panelled door with vertical pattern and glass pane

Colour:
White RAL 9010



Panelled door with herringbone pattern and side light

Colour:
White RAL 9010



Panelled door with glass pane

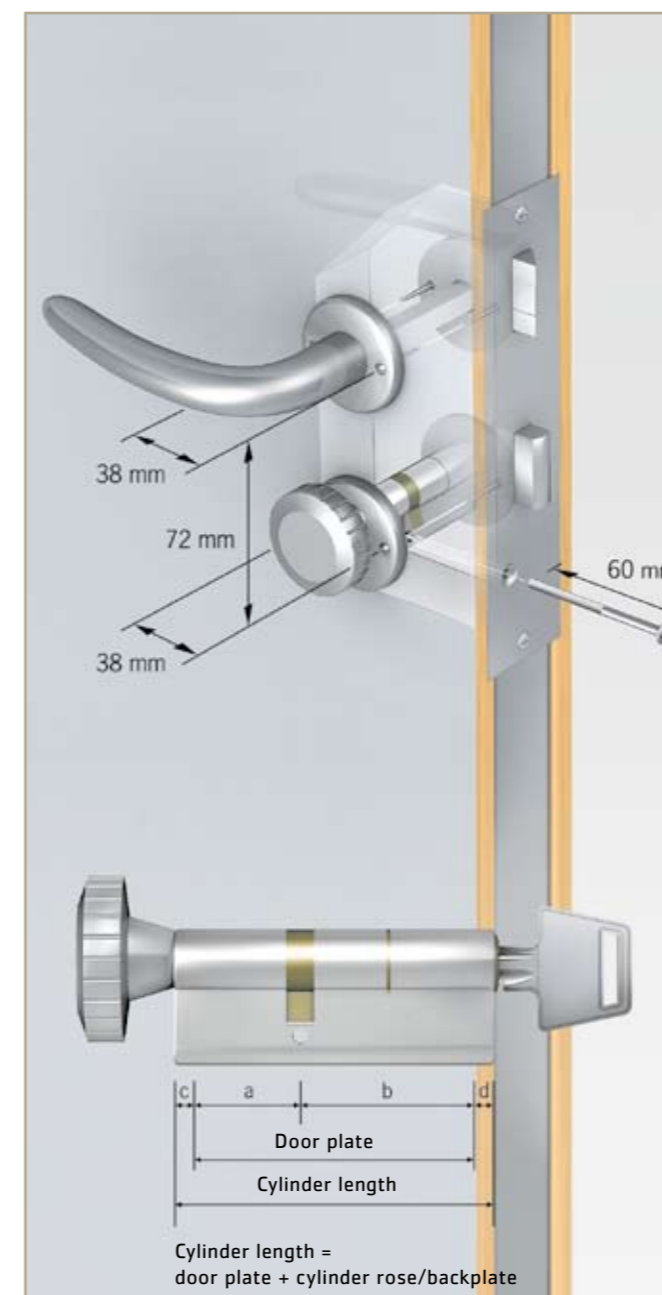
Colour:
White RAL 9010



Panelled door with classical pattern

Colour:
Silver grey Ral: 7001

DOMUS®/ALDUS® Cylinder measurements



Cylinder measurements

a = Distance from mid locking box to internal side of door plate			
b = Distance from mid locking box to external side of door plate			
c = Internal cylinder rose/backplate			
d = External cylinder rose/backplate			
Inward opening door	DOMUS	22.5 mm	37.5 mm
	ALDUS	22.5 mm	45.5 mm
Outward opening door	DOMUS	37.5 mm	22.5 mm
	ALDUS	37.5 mm	30.5 mm

A and b are non-variable dimensions, c and d are variable dimensions (see table).





Our terrace door has become more energy efficient - with a bigger glass pane and better insulating ability

- The door gives you a better inflow of light hence more sun light is allowed in
- A simpler, lighter and more elegant terrace door with only one rail at the bottom
- A more harmonious door, where the sash looks the same on all four sides

The new terrace door has a better utilization of the heat from the sun as an energy source and at the same time the loss of heat through the door is reduced - a small difference with great influence for both heating bills and elegance.

Rationel's new WML terrace door with one rail is available as outward opening only in both DOMUS and ALDUS.

Examples of terrace doors



Terrace door WML with 1 glass pane

1 rail

Colour:
White RAL 9010



Terrace door with 1 glass pane

2 rails

Colour:
White RAL 9010



Terrace door with 8 glass panes

Colour:
White RAL 9010



Double terrace door with 8 glass panes

Colour:
White RAL 9010



Colour:
Slate grey RAL 7015